

AXLE LIFT

MID LIFT

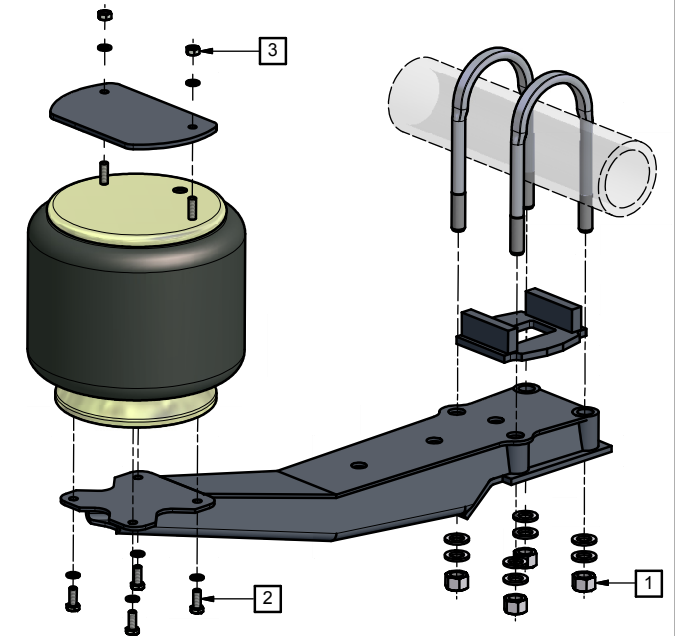
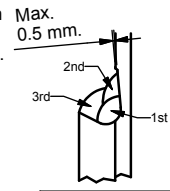
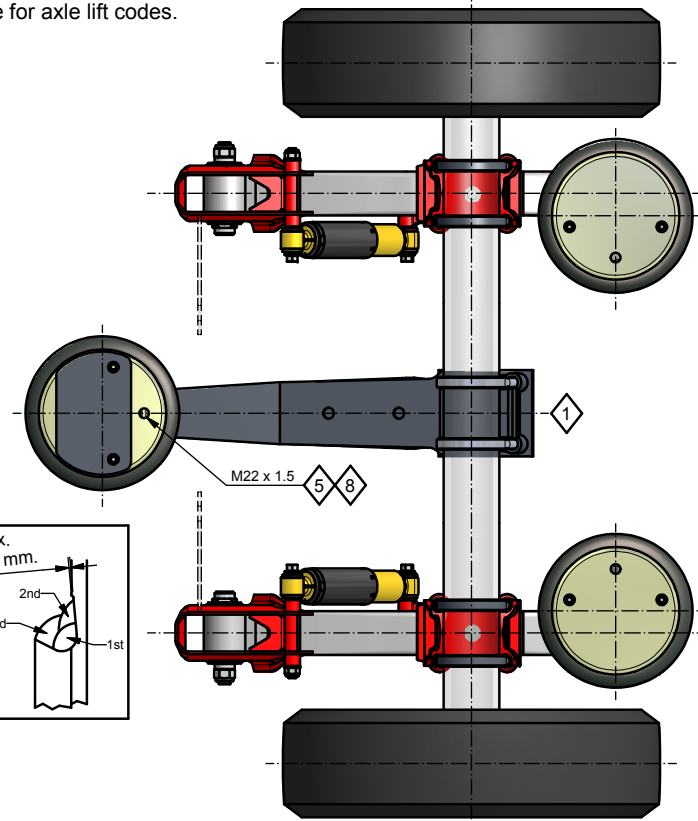
AL-057/138/191/193-DOC

This Weweler axle lift is suitable for low air suspension systems with an $\varnothing 127$ & $\square 120$ axle or $\varnothing 146$ & $\square 150$ axle (not drawn). See table for axle lift codes.

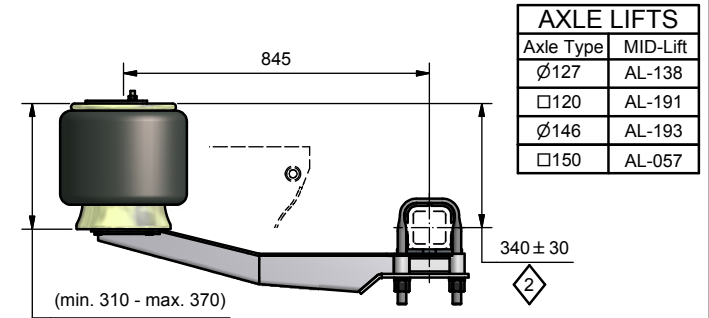
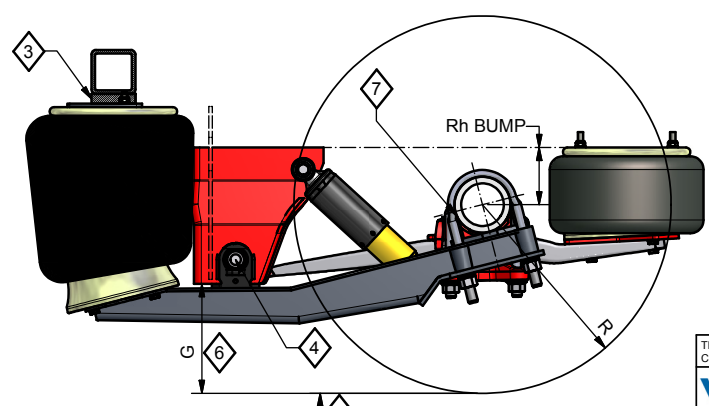
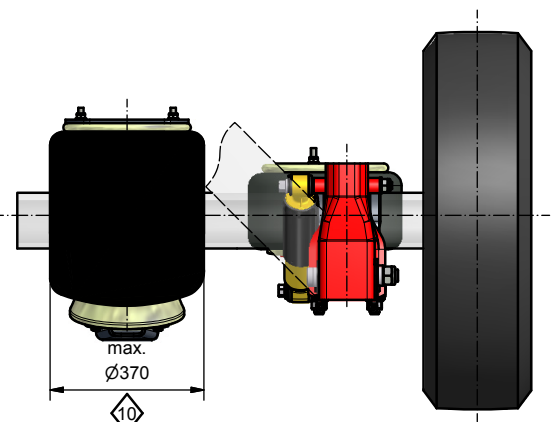
The Mid lift isn't suitable for overslung suspension systems.

EXPLANATION

- 1 Drawing for jointless midaxlelift suitable for axletypes: $\square 120 - \varnothing 127$.
Weight: ca. 47 kg
- 2 Values are only valid for nominal rideheight of airsprung suspension.
- 3 Length of adjustmentbar depending on rideheight and position of crossbar. Adjustmentbar is not included.
- 4 Rotationpoint of lift and suspension.
- 5 The airconnector can be rotated in steps of 90°.
- 6 Groundclearance G at full axle up travel (loaded without pressure depends on the airsuspensionsystem and the type of tires. (always check).
- 7 Weldinginstruction (not for $\square 150$ version):
 - Mountingplate must laying on the axle.
 - The horizontal welds at front- and backside must be welded with an a-height of ca. 5 mm.
 - Adhesive welds and/or pits and burrs need to become full welds.
 - Never test the weldingbow on the axle self.
 - Connect the earthwire so it will not cause any possible damage to the bearings by electric circuiting.
- 8 Rest-pressure-valve 0,5 bar. Tube connector $\varnothing 10$ mm.
- 9 General: The clearance between the road and the tire when the axle is lifted = axle up travel minus deformation of the tires.
- 10 The airspring is not allowed to hit any other parts. Keep a free diameter of 420 mm. for moving parts.



TORQUE		
Fastener	Torque [Nm]	Tolerance [Nm]
1 U-Bolt	(M22) 600	+25 / -0
2 Air Spring	(M12) 30	+10 / -0
3 Bellow plate	(M12) 66	+0 / -16



AXLE LIFTS	
Axle Type	MID-Lift
$\varnothing 127$	AL-138
$\square 120$	AL-191
$\varnothing 146$	AL-193
$\square 150$	AL-057

UNCONTROLLED COPY
NO RIGHTS CAN BE CLAIMED FROM THIS DOCUMENT

THIS DOCUMENT IS PROPERTY OF VDL WEWELER B.V. COPYING, ANNOUNCING, OR GIVE A THIRD PARTY PERUSAL OF ANY KIND, IS PROHIBITED WITHOUT APPROVAL OF OWNER

VDL Weweler

VDL WEWELER B.V.
P.O. BOX 142
7300 AC APELDOORN
THE NETHERLANDS

DATE	BY	APP.	PROJECT:
25-10-2006	RTS		WAP06-102
1-9-2010	RTS		WAP10-044

DOC.NR: WE0015858

REV: